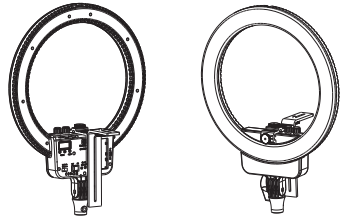




NANGUANG

8. When using the camera bracket, please fix the camera bracket on the fixing slot of ring light, and then fix the camera onto the bracket. According to the shooting requirement, you could change the position of camera towards up/down/front/back by adjusting the screw knob of camera bracket (Camera bracket is not the standard configuration, bought additionally).



9. When stop using, please turn the power switch to "OFF" situation.

### ! Notice:

1. Before using, please read the instruction sheet carefully and then install the product according to the instruction sheet.
2. The product should be operated within the normal voltage.
3. The power is 28.8W when using the AC adapter, the power is 12W when using the battery. When using the AC adapter and battery, it will be powered with AC adapter automatically.
4. USB output is 5V/1A, too much may cause circuit output current damage.
5. Please keep this product in dry and ventilated place, to avoid the circuit get wet, and cause short circuit.
6. When stop using, please cut off the power to avoid shorter service life because of long time illumination.

### ? General Breakdown Service

The question mentioned below is not certainly caused by the breakdown, pls check the lighting again before contact with the distributor and manufacturer, eliminate the following problems before send out the light for reparation.

#### Breakdown 1: The lamp can not start up normally.

- Measurement:
- 1) Check if the batteries and the adapter are installed in place.
  - 2) Press the power switch and watch the digital display could light up or not. If couldn't light up, please change to other batteries or adapter to test.
  - 3) Check if the connection of the adapter and the lamp is loose, or whether the power/voltage of the adapter is too low.

#### Breakdown 2: The lamp is flickering.

- Measurement:
- 1) Check whether the battery level is enough or not. Change another one with enough battery level and test again.
  - 2) Check whether the power adapter is suitable.
  - 3) Check if there is any high temperature object near the lighting to Cause the operating environment temperature is too high.

#### Breakdown 3: The digital display shows normal but the lamp bulbs couldn't light up.

- Measurement: Press the battery balance testing button and observe if the battery capacity is less than 1 which means low battery level.

## Guangdong NanGuang Photo&Video Systems Co.,Ltd

Add: Zhanglin Section, Highway 324, Dongli, Chenghai, Shantou City, Guangdong Province, China

Tel: +86-754-85751187 Fax: +86-754-85300887

E-mail: service@nglbg.com http://www.nglbg.com

# VENUS V29C RING LED LIGHT

## Instruction Sheet



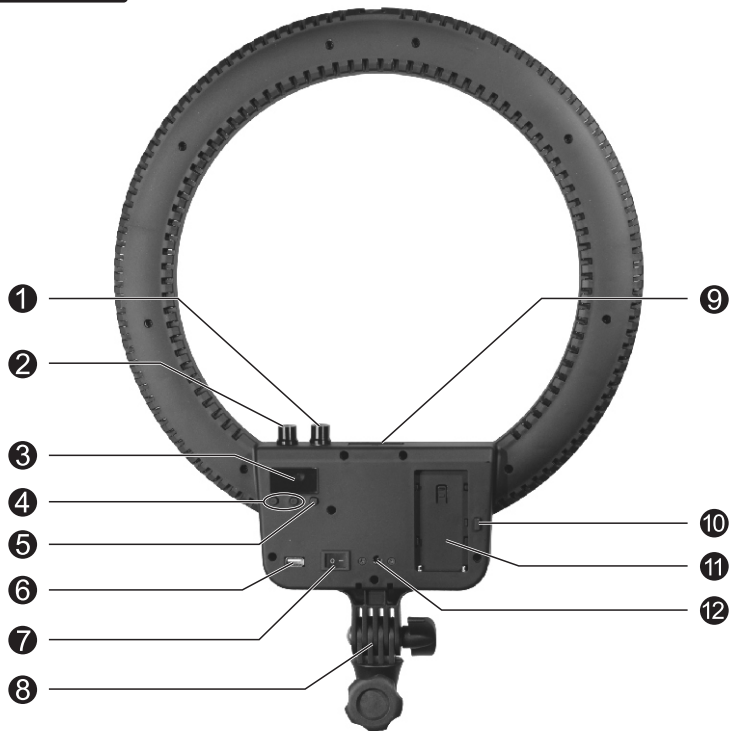
### ◆ Extra Parameters:

LED Bulbs Amount: 288 PCS  
Total Power: 28.8Wx2  
CRI(Ra): 95

AC Power: 12V-18V  
Color Temperature: 3200K-5600K

[www.nglbg.com](http://www.nglbg.com)

**Components:**



- ① .Color emperature knob:For adjusting the lighting color temperature.
- ② .Dimmer knob:for adjusting the lighting brightness.
- ③ .Digital Display:it could display brightness,color temperature,battery power level, lighting address and other data.
- ④ .Lighting address adjusting button:press the “+” button,the light address number increase,press the “-” button,the light address number decrease.The digital display will show the address number of the lighting that are between A001-A512.These two buttons could be clicked or long press.
- ⑤ .Battery balance testing button:press the button,the digital display screen will display the current battery power level(The rank 0-10 meand the current battery level,the bigger number in the display means more power).
- ⑥ .USB output interface:for outputting the max current of 5V/1A to peripheral devices.
- ⑦ .Power switch:for on/off the lamp.
- ⑧ .Fixing screw knob and fixing holder:for fixing the lamp on the light stand and the irradiation angle of the lamp.
- ⑨ .Fixing seat:for fixing the cellphone bracket or mirror.
- ⑩ .Battery lock button:fix and lock the battery to prevent the battery falling off when shaking.
- ⑪ .Battery plate:suitable for mounting Sony Li-ion battery(NP-F,NP-FM series battery), or mount the adapter for Panasonic/Canon/Nikon battery (battery and battery adapter could be bought additionally).
- ⑫ .DC power socket:for connecting DC 12-18V adapter.



- ⑬ .cellphone bracket(spring handle and cellphone clip).
- ⑭ .mirror.
- ⑮ .power adapter:15V/4A adapter to supply the power for the lighting.
  - Note:the light could be controlled by 2.4G remote controller or wifi,which should be bought additionally.

**Instructions:**

1.Please install the LED ring light on the table light stand or the floor light stand, and adjust the light in the best lighting direction.(The table/floor light stand is not the standard configuration, should be bought additionally pic-A.pic-B).

- 2.Connecting to AC adapter or mount the battery.
- 3.Turn on the light.
- 4.Adjust the lighting by rotating the dimming knob and color temperature dimming.
- 5.When operating, single piece LED ring light or multi-lighting could be adopted.When using the single light as portrait eyelight, the LED ring light could be placed to the right side ahead of the camera lens, and shooting portrait from the middle of the LED ring light. When using the multi-lighting, you can set the lighting according to your requirement.
- 6.When using the smart phone bracket, first fixing the spring tube based on the fixing slot of the LED ring light, and then adjusting the length and the width of the smart phone clip to fix the smart phone on the clip, finally fulfill the horizontal and vertical shooting by fixing the smart phone clip onto the top or the lateral of the spring tube, moreover, you could adjust the shooting direction of the smart phone by changing the shape of spring tube, and make sure the lens of the smart phone is always in the middle of the LED ring light.



pic-A



7.When using the make-up mirror, fixing the mirror base onto the fixing slot of the ring LED light, adjusting the screw knob of the mirror base , and then fixing the mirror onto the light.



pic-B