



EclPanel TWCJR

Tunable White and colourful LED soft light with pixels and lighting effects (driven @ 220W)



USER MANUAL

Thank you for choosing PROLIGHTS.

Please note that every PROLIGHTS product has been designed in Italy to meet quality and performance requirements for professionals and designed and manufactured for the use and application as shown in this document.

Any other use, if not expressly indicated, could compromise the good condition/operation of the product and/or be a source of danger.

This product is meant for professional use. Therefore, commercial use of this equipment is subject to the respectively applicable national accident prevention rules and regulations.

Features, specifications and appearance are subject to change without notice. Music & Lights S.r.l. and all affiliated companies disclaim liability for any injury, damage, direct or indirect loss, consequential or economic loss or any other loss occasioned by the use of, inability to use or reliance on the information contained in this document.

Product user manual can be downloaded from the website www.prolights.it, or can be inquired to the official PROLIGHTS distributors of your territory (https://www.prolights.it/sales_network.html).

Scanning the below **QR Code**, you will access the download area of the product page, where you can find a broad set of always updated technical documentation: specifications, user manual, technical drawings, photometrics, personalities, fixture firmware updates.



The PROLIGHTS Logo, PROLIGHTS names and all other trademark in this document pertaining to PROLIGHTS services or PROLIGHTS product are trademarks OWNED or licensed by Music & Lights S.r.l., its affiliates, and subsidiaries. PROLIGHTS is a registered trademark by Music & Lights S.r.l. All right reserved. Music & Lights – Via A. Olivetti, snc - 04026 - Minturno (LT) ITALY.

INDEX

SAFETY INFORMATION	2
1 - PACKAGING	5
PACKAGE CONTENT	5
OPTIONAL ACCESSORIES	5
2 - TECHNICAL DRAWING	6
3 - INSTALLATION	7
MOUNTING	7
4 - CONNECTION TO THE MAINS SUPPLY	8
5 - START UP	8
CONNECT AND DISCONNECT POWER FROM THE PRODUCT	8
6 - PRODUCT OVERVIEW	9
7 - DMX CONNECTION	10
CONNECTION OF THE CONTROL SIGNAL: DMX LINE	10
INSTRUCTIONS FOR A RELIABLE DMX CONNECTION	10
CONNECTION DAISY CHAIN	10
CONNECTION OF THE DMX LINE	10
CONSTRUCTION OF THE DMX TERMINATION	11
DMX ADDRESSING	11
OPERATION AS A WIRELESS TRANSMITTER	12
DMX TO WDMX (TX)	12
OPERATION AS A WIRELESS RECEIVER	12
WDMX TO DMX (RX)	12
8 - CONTROL PANEL	13
DISPLAY AND BUTTONS LAYOUT	13
ROTATORY KNOB LAYOUT	13
9 - MENU STRUCTURE	14
10 - RDM FUNCTIONS	18
11 - DMX CHARTS	19
12 - ACCESSORIES INSTALLATION	26
THE POLE OPERATED YOKE (code ECLPANELJRPOYO)	26
RIGID EGG CRATES (codes EPTWCJREC4C, EPTWCJREC30, EPTWCJREC60)	27
DIFFUSION FILTERS (codes EPTWCFILTERHD, EPTWCFILTERMD, EPTWCFILTERLD) ..	28
BARN DOOR (code EPTWCJRBD)	29
13 - MAINTENANCE	30
MAINTENANCE AND CLEANING THE PRODUCT	30
REPLACING THE FUSE	30
VISUAL CHECK OF PRODUCT HOUSING	30
TROUBLESHOOTING	31

SAFETY INFORMATION



WARNING!

- Please read carefully the instruction reported in this section before installing, powering, operating or servicing the product and observe the indications also for its future handling.



This unit is not for household use, only professional applications.



Connection to mains supply

- The Connection to the mains supply must be carried out by a qualified electrical installer.
- Use only AC supplies 100-240V 50-60 Hz, the fixture must be electrically connected to ground (earth).
- Select the cable cross section in according with the maximum current draw of the product and the possible number of products connected at the same power line.
- The AC mains power distribution circuit must be equipped with magnetic+residual current circuit breaker protection.
- Do not connect it to a dimmer system; doing so may damage the product.



Protection and Warning against electrical shock

- Do not remove any cover from the product, always disconnect the product from AC power before servicing.
- Ensure that the fixture is electrically connected to ground (earth). And use only a source of AC power that complies with local building and electrical codes and has both overload and ground-fault (earth-fault) protection.
- Before using the fixture, check that all power distribution equipment and cables are in perfect condition and rated for the current requirements of all connected devices.
- Isolate the fixture from power immediately if the power plug or any seal, cover, cable, or other components are damaged, defective, deformed or showing signs of overheating.
- Do not reapply power until repairs have been completed.
- Refer any service operation not described in this manual to PROLIGHTS Service team or an authorized PROLIGHTS service center.



Installation

- Make sure that all visible parts of the product are in good visible condition before its use or installation.
- Make sure the point of anchorage is stable before positioning the projector.
- When suspending the fixture above ground level, secure it against failure of primary attachments by attaching a safety cable that is approved as a safety attachment for the weight of the fixture to the attachment point on the main frame of the product. In case the safety cable, enter in action, it needs to be replaced with a new one.
- Install the product only in well ventilated places.
- For non temporary installations, ensure that the fixture is securely fastened to a load-bearing surface with suitable corrosionresistant hardware.
- For a temporary installation with clamps, ensure that the quarter-turn fastener and/or screws are turned fully, and secured with a suitable safety cable.



Minimum distance of illuminated objects

- The projector needs to be positioned so that the objects hit by the beam of light are at least 0.5 meters (1.64 ft) from the lens of the projector.

$T_a 45^\circ\text{C}$

Max operating ambient temperature (T_a)

- Do not operate the fixture if the ambient temperature (T_a) exceeds 45°C (113°F).

$T_a -10^\circ\text{C}$

Minimum operating ambient temperature (T_a)

- Do not operate the fixture if the ambient temperature (T_a) is below -10°C (-14°F).



Protection from burns and fire

- The exterior of the fixture becomes hot during use. Avoid contact by persons and materials.
- Ensure that there is free and unobstructed airflow around the fixture.
- Keep flammable materials well away from the fixture
- Do not expose the front glass to sunlight or any other strong light source from any angle. Lenses can focus the sun's rays inside the fixture, creating a potential fire hazard.
- Do not attempt to bypass thermostatic switches or fuses.



Indoor use

- This product is designed for indoor and dry environments.
- Do not use in wet location and do not expose the fixture to rain or moisture.
- Never use the fixture in places subject to vibrations or bumps.
- Make certain that no inflammable liquids, water or metal objects enter the fixture.
- Excessive dust, smoke fluid, and particle build up degrades performance, causes overheating and will damage the fixture.
- Damages caused by inadequate cleaning or maintenance are not covered by the product warranty.

$T_c 70^\circ\text{C}$

Temperature of the external surface

- The surface of the fixture can reach up to 70°C (159.8°F) during operation. Avoid contact with people and materials.



Maintenance

- Warning! Disconnect the fixture from AC mains power and allow to cool for at least 10 minutes before handling.
- Only technicians who are authorized by PROLIGHTS or Authorised service partners are permitted to open the fixture.
- Users may carry out external cleaning, following the warnings and instructions provided, but any service operation not described in this manual must be referred to a qualified service technician.
- Important! Excessive dust, smoke fluid, and particle build up degrades performance, causes overheating and will damage the fixture. Damages caused by inadequate cleaning or maintenance is not covered by the product warranty.



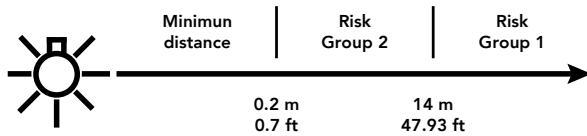
Photobiological safety

- This device emits potentially dangerous optical radiation and is identified in the category of Risk Group 2 according to EN 62471.



Do not stare at the operating light source

- Do not look directly at the LED source during operation. It can be harmful to the eyes and skin.
- During Installation, operation and maintenance, be prepared for the fixture to light and move suddenly when connected to power.
- The device should be positioned so that prolonged staring into the luminaire at a distance closer than 14 m (47.93 ft) is not expected.



Disposal

- This product is supplied in compliance with European Directive 2012/19/EU – Waste Electrical and Electronic Equipment (WEEE). To preserve the environment please dispose/ recycle this product at the end of its life according to the local regulation.



The products to which this manual refers comply with:

- 2014/35/EU - Safety of electrical equipment supplied at low voltage (LVD).
- 2014/30/EU - Electromagnetic Compatibility (EMC).
- 2011/65/EU - Restriction of the use of certain hazardous substances (RoHS).
- 2014/53/EU - Radio Equipment Directive (RED).

1 - PACKAGING

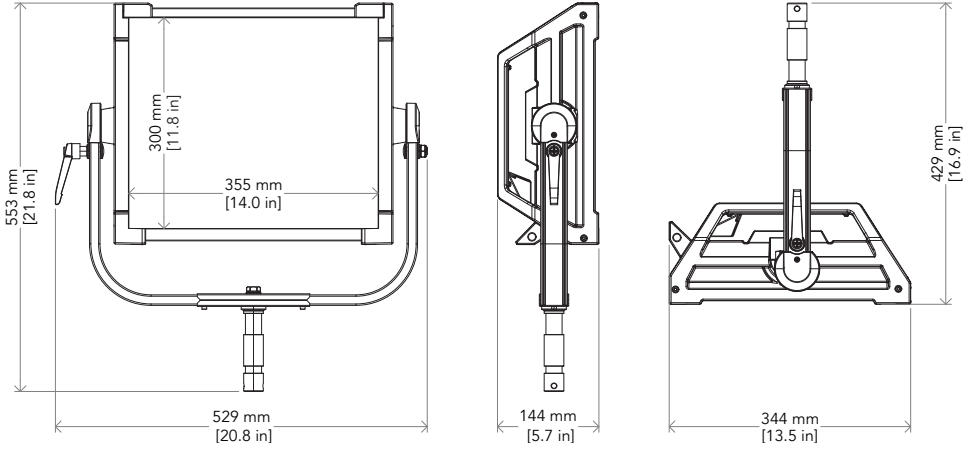
PACKAGE CONTENT

- 1x ECLPANELTWCJR;
- 1x 1,5 meters power cable (SCHUKO plug - NEUTRIK POWERCON TRUE1 IP65);
- EPTWCJRFILTERMD: Front medium diffusion filter for ECLPANELTWCJR;
- ECLFRSPG: Spigot for PROLIGHTS Fresnel series;
- User manual.

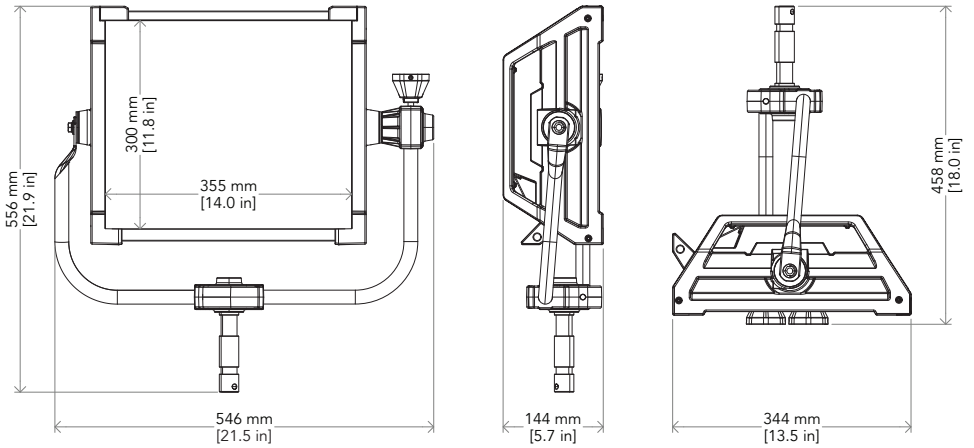
OPTIONAL ACCESSORIES

- FCLPANELJR1U: flight case for 1 pc of ECLPANELTWCJR;
- EPTWCJRBAG1U: bag for 1 pc of ECLPANELTWCJR;
- C6040: aluminum clamp for 28mm spigot, 200kg load, 48-51mm tubes;
- C6002: slim aluminium clamp, 200 kg loading, 48-51 mm tubes, M10 bolt;
- RSR0630A/B: steel security cable for hanging bodies, inox steel shackle, L=60 cm, silver/black;
- 9533FXWL03: ass. 3x2.5mm TH07 cable, SHUKO plug, MENAC3FXW socket, L.3m;
- 9513FXWL03: ass. 3x2.5mm TH07 cable, 16A 3p 230V CEE plug, MENAC3FXW socket, L.3 m;
- TOUR53415L03BK: dmx cable HC5340. CANCE5MXX XLR 5p->CANCE5FFX XLR (f) 5p, L.3m;
- WSBBF1G5: blackBox F-1 G5 transmitter, 2,45GHz & 5.2/5,8 GHz, DMX/RDM, 512Ch;
- WSBBF1G6: blackBox F-1 G6 transrec, 512ch, 2.45GHz, DMX&RDM,Bluetooth,G3,G4,G4S, G5, CRMX;
- WSBBR512G5: blackBox R-512 G5 receiver 512Ch, 2.45GHz & 5.8GHz, DMX/RDM optional;
- WSBBR512G6: blackBox R-512 G6 receiver 512Ch, 2.45GHz,DMX&RDM,Bluetooth,G3,G4,G4S,G5,CRMX;
- 958225L03: 3x2.5mm TH07 Cable, 16A 3p PwCon MXW, 16A 3p PwCon FXW, L. 3m;
- FCLPANELJR4U: flight case for 4 pcs of ECLPANELTWCJR;
- ECLPANELJRPOYO: pole operated aluminium yoke bracket for ECLPANELTWCJR.
- EPTWCJRFILTERINT: front diffuser filter for ECLPANELTWCJR;
- EPTWCJRFILTERHD: front high diffusion filter (less output) for ECLPANELTWCJR;
- EPTWCJRFILTERLD: front low diffusion filter (more output) for ECLPANELTWCJR;
- EPTWCJREC30: 30 degree egg crate for ECLPANELTWCJR;
- EPTWCJREC60: 60 degree egg crate for ECLPANELTWCJR;
- EPTWCJREC4C: 4 chamber egg crate for ECLPANELTWCJR;
- EPTWCJRBD: barn door with 4 directional flaps to adjust the light beam;
- EPTWCJR5B1: snapBag 1x1 for ECLPANELTWCJR by DoP choice;
- EPTWCJRS4S11: 40° SnapGrid for SnapBag, 1x1 for ECLPANELTWCJR by DoP choice;
- EPTWCJRS4S1140: 40° SnapGrid for SnapBag, 1x1 for ECLPANELTWCJR by DoP choice;
- EPSREM: rabbit-Ears 1x1 MINI for ECLPANELTWCJR by DoP choice;
- EPSBRL3: snapbag Lantern 3' for Rabbit-Ears by DoP. Incl. Lantern, Backcovers, Carry Bag;
- EPSBRL3C4: cover for Snapbag Lantern 3' (EPSBRL3) by DoP choice; 4 sides, adj. with zipper;
- EPSBRM: snapBag Medium to be mounted on Rabbit Ears by DoP;
- EPSGCM40: 40° SnapGrid, to be mounted on Snap Bag Medium (EPSBRM);
- EPSBRO3: snapbag Octa 3' to be mounted on Rabbit-Ears by DoP;
- EPSGC3W40: 40° SnapGrid, to be mounted on Snap Bag Octa 3' (EPSBRO3);
- EPSBRO5: snapbag Octa 5' to be mounted on Rabbit-Ears by DoP;
- EPSGC5W40: 40° SnapGrid, to be mounted on Snap Bag Octa 5' (EPSBRO5);
- EPSBRO7: snapbag Octa 7' to be mounted on Rabbit-Ears by DoP;
- EPSGC7W40: 40° SnapGrid, to be mounted on Snap Bag Octa 7' (EPSBRO7);
- EPSBCMNSM: diffusion MAGIC cloth for Snapbag 60x60cm (EPTWCJR5B11) by DoP choice
- EPSBCMNSF: diffusion FULL Grid cloth for Snapbag 60x60cm (EPTWCJR5B11) by DoP choice
- EPSBCMNSH: diffusion HALF Grid cloth for Snapbag 60x60cm(EPTWCJR5B11) by DoP choice
- EPSBCMNSQ: diffusion QUARTER Grid cloth for Snapbag 60x60cm (EPTWCJR5B11) by DoP choice
- EPSBCMNSQFM: diff. cloth SET (1/4, 1/1,MAGIC) for Snapbag 60x60cm (EPTWCJR5B11) by DoP choice;
- EPTWCJRLANT11: snapbag Lantern for ECLPANELTWCJR by DoP. Incl. Lantern, Backcovers, Carry Bag;
- SWIT500W2KIT: 24/48V 500W battery (>1.2hrs) KIT including 2*PBH260S smart power batt.+st.adapt;
- UPBOX1U: firmware uploader kit, USB IN, 3p XLR DMX OUT.

2 - TECHNICAL DRAWING



Weight: 10.5 kg - 23.15 lbs



Weight: 11.8kg - 26.01 lbs

Fig. 01

3 - INSTALLATION

MOUNTING

Check that the supporting structure can safely bear the weight of all installed fixtures, clamps, cables, auxiliary equipment, etc. and complies with locally applicable regulations.

When suspending the fixture above ground level, secure it against failure of primary attachments by attaching a safety wire that is approved as a safety attachment for the weight of the fixture to an anchor point on the product main frame.

Do not use removable parts or weak anchors for secondary attachment.

Warning! When clamping the fixture to a truss or other structure at any angle, use clamps of half-coupler type. Do not use any type of clamp that does not completely encircle the structure when fastened.

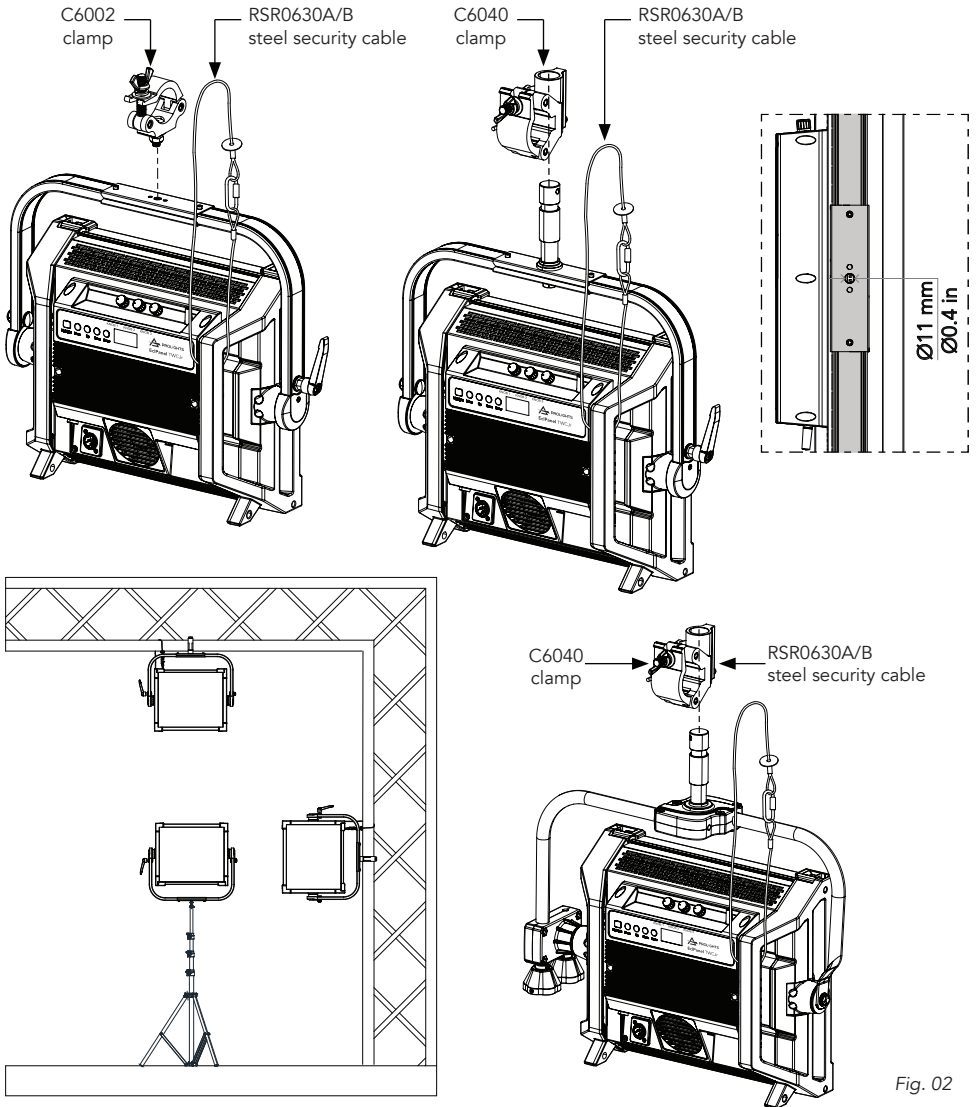


Fig. 02


4 - CONNECTION TO THE MAINS SUPPLY

WARNING: For protection from electric shock, the fixture must be earthed!

The product is equipped with auto-switching power supply that automatically adjusts to any 50-60Hz AC power source from 100-240 Volts.

If you need to install a power plug on the power cable to allow connection to power outlets, install a grounding-type (earthed) plug, following the plug manufacturer's instructions. If you have any doubts about proper installation, consult a qualified electrician.

The max power consumption is 230W.

Core (EU)	Core (US)	Connection	Plug terminal marking
Brown	Black	Live	L
Blue	White	Neutral	N
Yellow+green	Green	Earth	

5 - START UP

CONNECT AND DISCONNECT POWER FROM THE PRODUCT

To apply and disconnect power to the product:

- Check that the product is installed and secured as indicated in the Safety Informations, and that personal safety will not be put at risk when the fixture lights up.
- Connect the power connector into the Mains input socket (100-240 VAC-50/60 Hz).
- The product is then ready for its operations and can be controlled through the available input signals on board.
- To disconnect power from the product, disconnect the Mains from the socket.
- In case you wish to run the product through an external battery, then connect the product to an external battery (24-36V) into the dedicated XLR4p socket; to disconnect power, disconnect the Battery from the socket.

6 - PRODUCT OVERVIEW

1. ANTENNA of Wireless DMX Receiver internal module.
2. ROTATORY KNOBS for product stand alone control operations.
3. USER INTERFACE with display and buttons for access to the control panel functions.
4. HIGHLIGHT button: turns the fixture temporary on for focusing without data signal.
5. POWER IN: for connection to the Mains 100-240V~/50-60Hz.
6. MAIN FUSE HOLDER: replace a burnt-out fuse by one of the same type only (T3.15 A250 V).
7. BATTERY IN (4-pole XLR): for battery within 24-36 V range, 1 = V -, 2 = N/C, 3 = N/C, 4 = V+.
8. DMX IN (5-p XLR): 1 = GND, 2 = sign-, 3 = sign+, 4 N/C, 5 N/C.
9. DMX OUT (5-p XLR): 1 = GND, 2 = sign-, 3 = sign+, 4 N/C, 5 N/C.
10. POWER OUT: power output for connection of multiple units in series.
11. TILT KNOB: for fixture tilt adjustment and fastening.

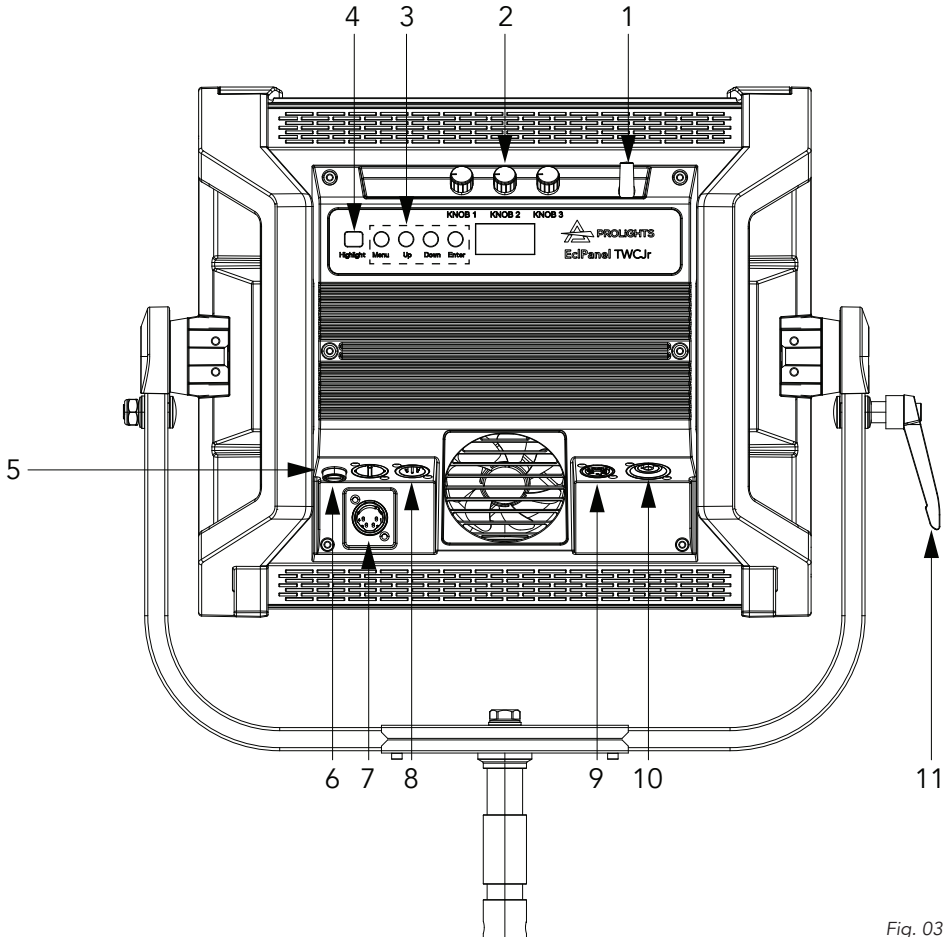


Fig. 03

7 - DMX CONNECTION

CONNECTION OF THE CONTROL SIGNAL: DMX LINE

The product has XLR sockets for DMX input and output.
The default pin-out on both socket is as the following diagram:

**DMX - INPUT
XLR plug**



Pin1 : GND - Shield
Pin2 : - Signal
Pin3 : + Signal
Pin4 : N/C
Pin5 : N/C

**DMX - OUTPUT
XLR socket**

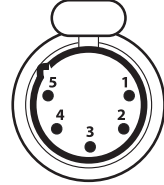


Fig. 04

INSTRUCTIONS FOR A RELIABLE DMX CONNECTION

Use shielded twisted-pair cable designed for RS-485 devices: standard microphone cable cannot transmit control data reliably over long runs. 24 AWG cable is suitable for runs up to 300 meters (1000 ft). Heavier gauge cable and/or an amplifier is recommended for longer runs.

To split the data link into branches, use splitter-amplifiers in the connection line.
Do not overload the link. Up to 32 devices may be connected on a serial link.

CONNECTION DAISY CHAIN

Connect the DMX data output from the DMX source to the product DMX input (male connector XLR) socket.

Run the data link from the product XLR output (female connector XLR) socket to the DMX input of the next fixture.

Terminate the data link by connecting a 120 Ohm signal termination. If a splitter is used, terminate each branch of the link.

Install a DMX termination plug on the last fixture on the link.

CONNECTION OF THE DMX LINE

DMX connection employs standard XLR connectors. Use shielded pair-twisted cables with 120Ω impedance and low capacity.

The following diagram shows the connection mode:

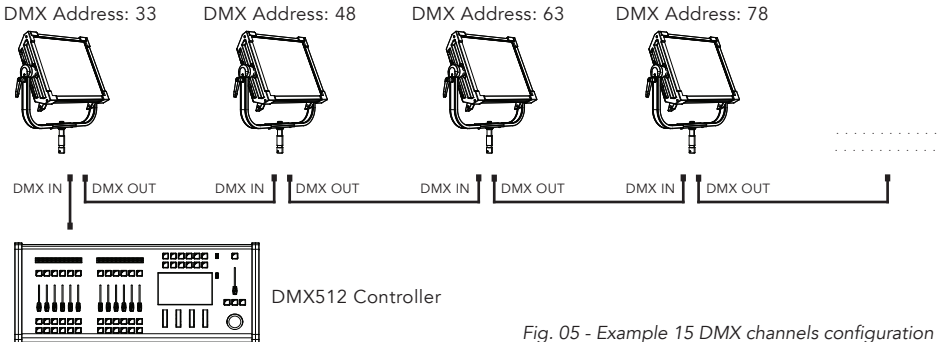


Fig. 05 - Example 15 DMX channels configuration

CONSTRUCTION OF THE DMX TERMINATION

The termination is prepared by soldering a 120Ω 1/4 W resistor between pins 2 and 3 of the male XLR connector, as shown in figure.

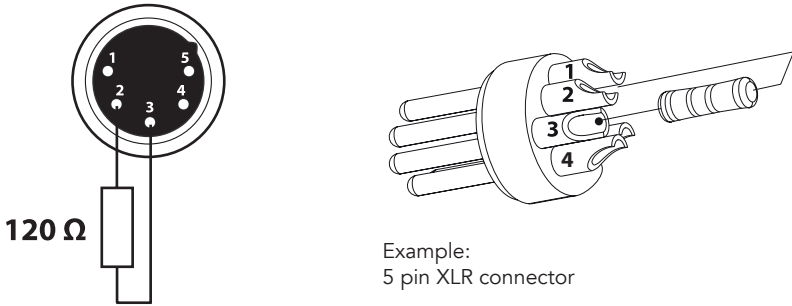


Fig. 06

DMX ADDRESSING

In order to start controlling the product via DMX, the first step is to select a DMX address, also known as the start channel, this is the first channel used to receive instructions from a DMX controller. If you wish to control the product individually, it is necessary to assign a different starting address channel to each fixture.

The number of channels occupied from the product depends on the DMX mode selected, so always verify the DMX Mode in the MENU before start addressing.

If you assign two fixtures the same address, they will be executing the same behaviour. Selecting the same address to multiple fixtures can be useful for diagnostic purposes and symmetrical control.

DMX addressing is limited to make it impossible to set the DMX address so high that you are left without enough control channels for the product.

To set the fixture's DMX address:

1. Press MENU to open the main menu.
2. Reach the addressing menu, then select the DMX ADDRESS settings.
3. Select the address from 1 to 512 using the navigation arrows/buttons and confirm by pressing ENTER.
4. Press Menu to exit and return to the Home screen.

The product DMX address, as well as other possible user settings through the MENU, can also be set when the product is disconnected from the Main through the internal battery-backup. All that is needed is to press and hold the button ENTER to momentarily enable the display and enter in the settings. Once the required operations have been executed, the display will switch off again after few seconds of being inactive.

OPERATION AS A WIRELESS TRANSMITTER

ECLPANELTWCJR can be used as wireless transmitter for transmit at different wireless receivers DMX signal. To use ECLPANELTWCJR as wireless transmitter, please follow the procedure below:

1. Push MENU button until you show CONNECT on display, then press ENTER button to confirm.
2. Use UP/DOWN buttons for select Wireless, then press ENTER to confirm.
3. Push ENTER button on WDMX ON/OFF function and enable it to ON.
4. Select WDMX mode and set it on Transmitter (please note that WDMX mode will be available only if WDMX ON/OFF is set to ON).
5. Ensure that the receiver units are not connected to any other transmitter. Please refer to "Reset the receiver" paragraph.
6. Enable TX LINK to ON to link transmitter to receivers (please note that TX LINK will be available only if WDMX mode is set to Transmitter).

- The transmitter scans for all unlinked receivers for a period of about 5 seconds.
- If the connection fails, check the position of the receiver.
- The wireless icon on the receiver display indicates the received signal strength.

Unlinking the transmitter

Follow the procedure below to unlink the transmitter from all receivers connected with the unit.

1. Push MENU button until you show CONNECT on display, then press ENTER button to confirm.
 2. Use UP/DOWN buttons for select Wireless, then press ENTER to confirm.
 3. Enable TX UNLINK to ON 8 (please note that TX UNLINK will be available only if WDMX mode is set to Transmitter).
- All connected receivers will be unlinked.

DMX TO WDMX (TX)

This function enable or disable the transmission through wireless of the DMX signal from the transmitter side to the receiver.

OPERATION AS A WIRELESS RECEIVER

ECLPANELTWCJR can be used as wireless receiver connected to a wireless transmitter.

To use ECLPANELTWCJR as wireless receiver, please follow the procedure below:

1. Push MENU button until you show CONNECT on display, then press ENTER button to confirm.
2. Use UP/DOWN buttons for select Wireless, then press ENTER to confirm.
3. Push ENTER button on WDMX ON/OFF function and enable it to ON.
4. Select WDMX mode and set it on Receiver (please note that WDMX mode will be available only if WDMX ON/OFF is set to ON).
5. Enable RX RESET to ON to reset the receiver (please note that RX RESET will be available only if WDMX mode is set to Receiver).
6. On the transmitter, enable TX LINK to ON to link transmitter to the receivers.
7. If the connection is successful and DMX input is available the display on the receiver unit will show the DMX address. If DMX signal is not available, the display will show "No signal" but keeps the transmitter linked.
8. If the connection fails, check the position of the receiver.
9. The wireless icon on the receiver display indicates the received signal strength.

Reset the receiver

Follow the procedure below to reset the receiver.

1. Push MENU button until you show CONNECT on display, then press ENTER button to confirm.
 2. Use UP/DOWN buttons for select Wireless, then press ENTER to confirm.
 3. Enable RX RESET to ON.
- The wireless icon on the receiver display indicates the received signal strength.

WDMX TO DMX (RX)

This function enable or disable the retransmission of the wireless DMX signal received through the DMX port on the receiver side.

8 - CONTROL PANEL

The product has a display and buttons for access to the control panel functions.

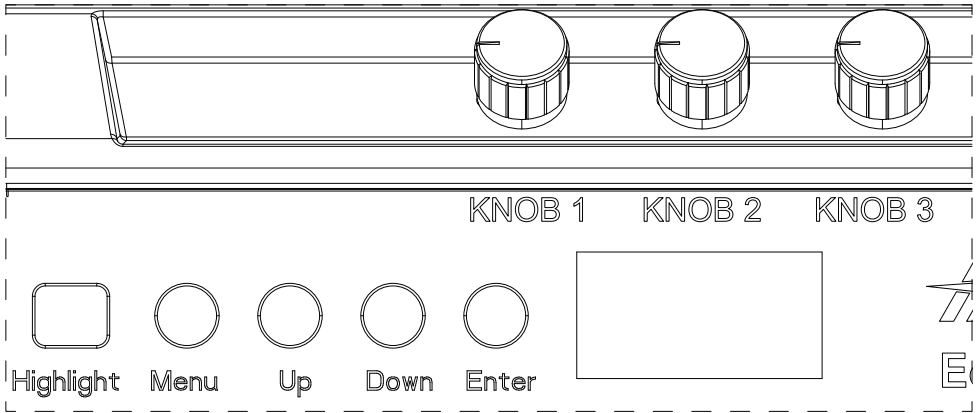


Fig. 07

DISPLAY AND BUTTONS LAYOUT

- The product has a display and buttons for access to the control panel functions.
- **HIGHLIGHT:** Press and hold for three seconds to temporary turn ON the product at Full ON for user focusing operations.
- **MENU:** Used to access the menu tree or to return a previous menu window.
- **UP:** Browse upwards through the menu list and increases the numeric value displayed.
- **DOWN:** Browse downwards through the menu list and decreases the numeric value displayed.
- **ENTER:** Used to confirm the current menu or confirm the current function value or option within a menu.

ROTATORY KNOB LAYOUT

The product is equipped with rotatory knobs for manual control of the product, those are enabled only in Stand Alone mode and they enable access to control certain attributes according to the selected STAND ALONE mode as indicated below:

MODE	ROTARY KNOB 1	ROTARY KNOB 2	ROTARY KNOB 3
EFFECTS	Dimmer (0 ÷ 255)	Effect	Speed (1 ÷ 100)
CCT	Dimmer (0 ÷ 255)	+/- Green (-25/+25)	Control temperature (CCT): 2800K ÷ 10000K
HSI	Dimmer (0 ÷ 255)	Colors (0 ÷ 255)	Saturation (SAT): 0 ÷ 255

9 - MENU STRUCTURE

The following chart describes the MENU tree of the product, the terms shown in **BOLD** indicates the default settings.

MENU							
1	CONNECT	DMX Address	Value (001-512)				
		DMX Mode	Theater	1CH	Amber Shift on Color Temperature	2800K 3200K 3500K 4000K 4500K 5000K 5600K 6000K 6500K 7000K 7500K 8000K 8500K 9000K 9500K 10000K	Hue (-025+025) Hue=0
					Manual Color	Red (000+ 255) Green (000+ 255) Blue (000+ 255) White (000+ 255)	
				2CH	Amber Shift on Color Temperature	2800K 3200K 3500K 4000K 4500K 5000K 5600K 6000K 6500K 7000K 7500K 8000K 8500K 9000K 9500K 10000K	Hue (-025+025) Hue=0
					Manual Color	Red (000+ 255) Green (000+ 255) Blue (000+ 255) White (000+ 255)	
				4CH 5CH1 5CH2 6CH 10CH 15CH 17CH			
		Tour		4Ch 6Ch 10Ch 11Ch 15Ch			
		Pixel		1 2H 2V 4			

		Wireless	WDMX ON/OFF	On-Off		Enable/Disable the wireless card.
			WDMX mode	Transmitter Receiver		Allows to choose whether to set the wireless on the Transmitter or Receiver. WDMX mode is unlocked only if WDMX ON / OFF is ON.
			TX link	On-Off		TX link unlock when the unit is set as a transmitter..
			TX unlink	On-Off		Disconnect the transmitter from all receivers. TX unlink unlocks only if WDMX mode is on transmitter.
			RX reset	On-Off		Total reset of the receiver. RX reset unlocks only if WDMX mode is receiver.
			DMX to WDMX (TX)	On-Off		Enable/Disable the transmission of the dmX from the transmitter to the receiver via wdmx.
			WDMX to DMX (RX)			Enable/Disable the retransmission of the DMX from the receiver to the other units connected by cable to the receiver itself.
2	SETUP	Screen	Back Light	On 10 s 20 s 30 s		Allows you to select the timing after that display will switch automatically off when unactive.
			Flip Display	No-Yes		Allows you to rotate the display by 180°.
			Key Lock	No-Yes		Allows you lock the buttons on the control panel by a password. Press following combinations (password) in order to access to the user menu : UP, DOWN, UP, DOWN, ENTER.
3	ADVANCED	Full On Mode	HB Studio			HB - High Brightness Mode, delivering the full output on every primary color Studio – Calibrated white output at 6000K,when all primary colors are set to full.
		Dimmer Mode	Off Dimmer 1 Dimmer 2 Dimmer 3			Linear dimmer behaviour. Dimmer curve adding little fade. Dimmer curve adding medium fade. Dimmer curve adding long fade.
		Color Calibration	White Balance	Off		Disable the White Calibration at full.
				Adjust	Red (125÷255) Green (125÷255) Blue (125÷255) White (125÷255)	
			Calibrated			Manufacturer calibration to grant performance and color consistency.
		Led Frequency	600Hz 1200 Hz 2000 Hz 4000 Hz 6000Hz 25kHz 36kHz			Select PWM frequency.
		Fan Mode	Auto On Off Silent1 Silent2			Select the product Fan mode.
		Factory Reload	No-Yes			To reset the unit to factory default settings.
4	INFORMATION	Fixture Tlme	0÷9999			View informations about product operating lifetime.

		Disp Version	V1.0			
		Drv Version	V1.0			
		UID	15D00236 ****		To view the ID for the product RDM control.	
5	STAND ALONE	Master/Slave	Master Slave		Allow you to link and operating in synk multiple units without a DMX console. Choose a unit to perform as the Master. This unit must be the first unit in line; Set the successive units to be slave.	
		Effects	Dimmer (000÷255)		Use the DIM rotary knob to set the Dimmer value.	
			Effect 1 Effect 2 Effect 3 Effect 4 Effect 5 Candle Cop Car1 Cop Car2 Cop Car3 Fire Fireworks Paparazzi Television Party Clouds Club Color Chase Strobe Lightning Explosion Fluorescent Process Pulsing Welding		Use the HUE rotary knob to select the Effect.	
			Speed (1÷100)		Use the CCT rotary knob to choose the Effect Speed.	
		CCT	Dimmer (000÷255)		Use the DIM rotary knob to set the Dimmer value.	
			Green (-25/+25)		Use the HUE rotary knob to choose the tint (+/- green) value.	
			2800K+ 10000K		Use the CCT rotary knob to elect the CCT value.	
		HSI	Dimmer (000÷255)		Use the DIM rotary knob to set the Dimmer value.	
			Colors (000÷255)		Use the HUE rotary knob to choose the color point.	
			Saturation (000÷255)		Use the CCT rotary knob to select the Saturation of the selected color.	
		Color Temperature	2800K 3200K 3500K 4000K 4500K 5000K 5600K 6000K 6500K 7000K 7500K 8000K 8500K 9000K 9500K 10000K	Hue (-025÷025) Dimmer (000÷255)		Select a predefined White CCT output from the list.
		Fixed Color	R G B W	Dimmer (000÷255)		Select of the following predefined color combination and its Dimmer value. After enabled this mode, the unit will be automatically assigned as Master.

		GB RB RG RGB RW GW BW RGW RBW GBW RGBW			
	Manual Color	Red Green Blue White	(000+255) (000+255) (000+255) (000+255)		<i>User generated color preset by assigning values to each primary color attribute. After enabled this mode, the unit will be automatically assigned as Master.</i>

NOTE: If the projector is in Slave mode if the DMX signal is lost, the projector will remain on according to the last received DMX value. If the projector was in STATIC or AUTO mode, if the DMX signal is lost, the projector will return to the previously set STATIC or AUTO.

10 - RDM FUNCTIONS

The product can communicate using RDM (Remote Device Management) protocol over a DMX512 Networks.

RDM is a bi-directional communications protocol for use in DMX512 control systems, it is the open standard for DMX512 device configuration and status monitoring.

The RDM protocol allows data packets to be inserted into a DMX512 data stream without affecting existing non-RDM equipment. It allows a console or dedicated RDM controller to send commands to and receive messages from specific fixtures.

The PIDs in the following tables are supported in the product.

PARAMETER	PID	GET	SET
DEVICE_MODEL_DESCRIPTION	0x0080	x	
MANUFACTURER_LABEL	0x0081	x	
DEVICE_LABEL	0x0082	x	x
FACTORY_DEFAULTS	0x0090	x	x
SOFTWARE_VERSION_LABEL	0x00C0	x	
DMX_PERSONALITY	0x00E0	x	x
DMX_PERSONALITY_DESCRIPTION	0x00E1	x	
DMX_START_ADDRESS	0x00F0	x	x
SENSOR_DEFINITION (<i>LED temperature sensor</i>)	0x0200	x	
CURVE	0x0343	x	x
CURVE_DESCRIPTION	0x0344	x	
MODULATION_FREQUENCY	0x0347	x	x
MODULATION_FREQUENCY_DESCRIPTION	0x0348	x	
DEVICE_HOURS	0x0400	x	
DISPLAY_INVERT	0x0500	x	x
IDENTIFY_DEVICE	0x1000	x	x
MS Full On Mode 0:HB 1:Studio (<i>Custom</i>)	0x8217	x	x

11 - DMX CHARTS

THEATRE

Channel	1 Ch	2 Ch	4 Ch	5 Ch "1"	5 Ch "2"	6 Ch	10 Ch	15 Ch	17 Ch
1	DIMMER	DIMMER	DIMMER	DIMMER	DIMMER	DIMMER	DIMMER	DIMMER	DIMMER
2		DIMMER FADE	CCT	DIMMER FINE	CCT	CCT	RED	DIMMER FINE	DIMMER FINE
3			HUE	CCT	HUE	HUE	GREEN	RED	STROBE
4			DIMMER FADE	HUE	STROBE	STROBE	BLUE	RED FINE	CCT
5				DIMMER FADE	DIMMER FADE	COLOR MACRO	WHITE	GREEN	HUE
6						DIMMER FADE	CCT	GREEN FINE	CROSSFADE
7							HUE	BLUE	RED
8							STROBE	BLUE FINE	RED FINE
9							COLOR MACRO	WHITE	GREEN
10							DIMMER FADE	WHITE FINE	GREEN FINE
11								CCT	BLUE
12								HUE	BLUE FINE
13								STROBE	WHITE
14								COLOR MACRO	WHITE FINE
15								DIMMER FADE	COLOR MACRO
16									CTO ON COLORS
17									DIMMER FADE

THEATRE

1 Ch	2 Ch	4 Ch	5 Ch "1"	5 Ch "2"	6 Ch	10 Ch	15 Ch	17 Ch	FUNCTION	DMX Value	Default
1	1	1	1	1	1	1	1	1	DIMMER 0+100%	000 ÷ 255	000
			2				2	2	DIMMER FINE 0+100%	000 ÷ 255	000
								5	HUE 25 to 0 0 0 to +25	000 ÷ 126 127 ÷ 127 128 ÷ 255	127
						2	3	7	RED 0+100%	000 ÷ 255	000
							4	8	RED FINE 0+100%	000 ÷ 255	000
						3	5	9	GREEN 0+100%	000 ÷ 255	000
							6	10	GREEN FINE 0+100%	000 ÷ 255	000
						4	7	11	BLUE 0+100%	000 ÷ 255	000
							8	12	BLUE FINE 0+100%	000 ÷ 255	000
						5	9	13	WHITE 0+100%	000 ÷ 255	000
							10	14	WHITE FINE 0+100%	000 ÷ 255	000
		2	3	2	2			4	CCT 2800K - 3200K 3200K - 3500K 3500K - 4000K 4000K - 4500K 4500K - 5000K 5000K - 5600K 5600K - 6000K 6000K - 6500K	000 ÷ 031 032 ÷ 063 064 ÷ 095 096 ÷ 127 128 ÷ 159 160 ÷ 191 192 ÷ 223 224 ÷ 255	000
						6	11		CCT 2800K - 3200K 3200K - 3500K 3500K - 4000K 4000K - 4500K 4500K - 5000K 5000K - 5600K 5600K - 6000K 6000K - 6500K No Function	000 ÷ 030 031 ÷ 060 061 ÷ 090 091 ÷ 120 121 ÷ 150 151 ÷ 180 181 ÷ 210 211 ÷ 240 241 ÷ 255	000
		3	4	3	3	7	12		HUE 0 -25°÷25°	000 ÷ 000 001 ÷ 255	000
								6	CROSSFADE 0+100%	000 ÷ 255	000
				4	4	8	13	3	STROBE Closed Strobe slow to fast Open Random slow to fast Open	000 ÷ 030 031 ÷ 100 101 ÷ 130 131 ÷ 200 201 ÷ 255	255

					5	9	14	15	COLOR MACRO No Function Amber Shift on Color Macro	000 + 002 003 + 005 006 + 255	000
								16	CTO ON COLORS 0+100%	000 + 255	000
	2	4	5	5	6	10	15	17	DIMMER FADE Read from menu 0+100%	000 + 000 001 + 255	000

TOUR

Channel	4 Ch	6 Ch	10 Ch	11 Ch	15 Ch
1	RED	DIMMER	DIMMER	DIMMER	DIMMER
2	GREEN	RED	RED	DIMMER FINE	DIMMER FINE
3	BLUE	GREEN	GREEN	RED	RED
4	WHITE	BLUE	BLUE	RED FINE	RED FINE
5		WHITE	WHITE	GREEN	GREEN
6		STROBE	STROBE	GREEN FINE	GREEN FINE
7			CCT	BLUE	BLUE
8				BLUE FINE	BLUE FINE
9				WHITE	WHITE
10				WHITE FINE	WHITE FINE
11				STROBE	STROBE
12					CCT
13			EFFECTS		EFFECTS
14			EFFECTS SPEED		EFFECTS SPEED
15			DIMMER FADE		DIMMER FADE

TOUR

4 Ch	6 Ch	10 Ch	11 Ch	15 Ch	FUNCTION	DMX Value	Default
	1	1	1	1	DIMMER 0÷100%	000 ÷ 255	000
			2	2	DIMMER FINE 0÷100%	000 ÷ 255	000
1	2	2	3	3	RED 0÷100%	000 ÷ 255	255
			4	4	RED FINE 0÷100%	000 ÷ 255	255
2	3	3	5	5	GREEN 0÷100%	000 ÷ 255	255
			6	6	GREEN FINE 0÷100%	000 - 255	255
3	4	4	7	7	BLUE 0÷100%	000 ÷ 255	255
			8	8	BLUE FINE 0÷100%	000 ÷ 255	255
4	5	5	9	9	WHITE 0÷100%	000 ÷ 255	255
			10	10	WHITE FINE 0÷100%	000 ÷ 255	255
	6	6	11	11	STROBE Closed Strobe slow to fast Open Random slow to fast Open	000 ÷ 030 031 ÷ 100 101 ÷ 130 131 ÷ 200 201 ÷ 255	255
		7		12	CCT No Function 2800K 3200K 3500K 4000K 4500K 5000K 5600K 6000K 6500K No Function	000 ÷ 005 006 ÷ 030 031 ÷ 055 056 ÷ 080 081 ÷ 105 106 ÷ 130 131 ÷ 155 156 ÷ 180 181 ÷ 205 206 ÷ 230 231 ÷ 255	000
		8		13	EFFECTS No Function Effect 1 Effect 2 Effect 3 Effect 4 Effect 5 Candle Cop Car1 Cop Car2 Cop Car3 Fire Fireworks Paparazzi Television Party	000 ÷ 010 011 ÷ 020 021 ÷ 030 031 ÷ 040 041 ÷ 050 051 ÷ 060 061 ÷ 070 071 ÷ 080 081 ÷ 090 091 ÷ 100 101 ÷ 110 111 ÷ 120 121 ÷ 130 131 ÷ 140 141 ÷ 150	

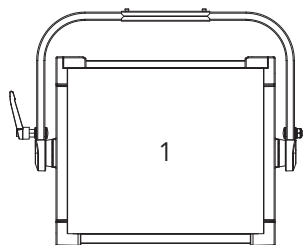
	8	13	Clouds Club Color Chase Strobe Lighting Explosion Fluorescent Process Pulsing Welding	151 ÷ 160 161 ÷ 170 171 ÷ 180 181 ÷ 190 191 ÷ 200 201 ÷ 210 211 ÷ 220 221 ÷ 230 231 ÷ 240 241 ÷ 255	000
	9	14	EFFECTS SPEED Speed slow to fast	000 ÷ 255	128
	10	15	DIMMER FADE Read from menu 0÷100%	000 ÷ 000 001 ÷ 255	000

PIXEL

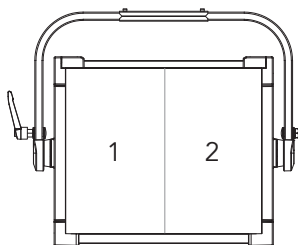
Channel	1	2V	2H	4
1	DIMMER	DIMMER	DIMMER	DIMMER
2	STROBE	STROBE	STROBE	STROBE
3	DIMMER FADE	DIMMER FADE	DIMMER FADE	DIMMER FADE
4	RED	RED1	RED1	RED1
5	GREEN	GREEN1	GREEN1	GREEN1
6	BLUE	BLUE1	BLUE1	BLUE1
7	WHITE	WHITE1	WHITE1	WHITE1
8		RED2	RED2	RED2
9		GREEN2	GREEN2	GREEN2
10		BLUE2	BLUE2	BLUE2
11		WHITE2	WHITE2	WHITE2
12				RED3
13				GREEN3
14				BLUE3
15				WHITE3
16				RED4
17				GREEN4
18				BLUE4
19				WHITE4

PIXEL LAYOUT

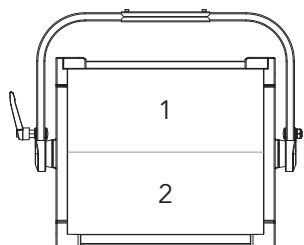
The following drawing describes the pixels distribution and their position on the product light emitting surface. Check the DMX mode selected to identify the related Pixel layout.



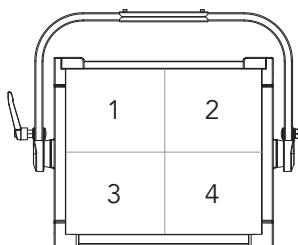
1 Pixel



2V Pixel



2H Pixel



4 Pixel

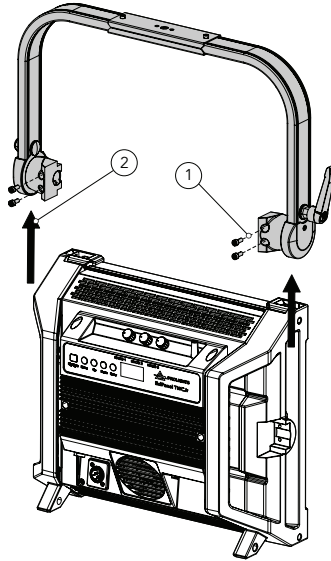
PIXEL

1	2V	2H	4	FUNCTION	DMX Value	Default
1	1	1	1	DIMMER 0÷100%	000 ÷ 255	000
2	2	2	2	STROBE Closed Strobe slow to fast Open Random slow to fast Open	000 ÷ 030 031 ÷ 100 101 ÷ 130 131 ÷ 200 201 ÷ 255	255
3	3	3	3	DIMMER FADE Read from menu 0÷100%	000 ÷ 000 001 ÷ 255	000
4				RED 0÷100%	000 ÷ 255	255
5				GREEN 0÷100%	000 ÷ 255	255
6				BLUE 0÷100%	000 ÷ 255	255
7				WHITE 0÷100%	000 ÷ 255	255
	4	4	4	RED1 0÷100%	000 ÷ 255	255
	5	5	5	GREEN1 0÷100%	000 ÷ 255	255
	6	6	6	BLUE1 0÷100%	000 ÷ 255	255
	7	7	7	WHITE1 0÷100%	000 - 255	255
	8	8	8	RED2 0÷100%	000 ÷ 255	255
	9	9	9	GREEN2 0÷100%	000 ÷ 255	255
	10	10	10	BLUE2 0÷100%	000 ÷ 255	255
	11	11	11	WHITE2 0÷100%	000 - 255	255
			12	RED3 0÷100%	000 ÷ 255	255
			13	GREEN3 0÷100%	000 ÷ 255	255
			14	BLUE3 0÷100%	000 ÷ 255	255
			15	WHITE3 0÷100%	000 ÷ 255	255
			16	RED4 0÷100%	000 ÷ 255	255
			17	GREEN4 0÷100%	000 ÷ 255	255
			18	BLUE4 0÷100%	000 ÷ 255	255
			19	WHITE4 0÷100%	000 ÷ 255	255

12 - ACCESSORIES INSTALLATION

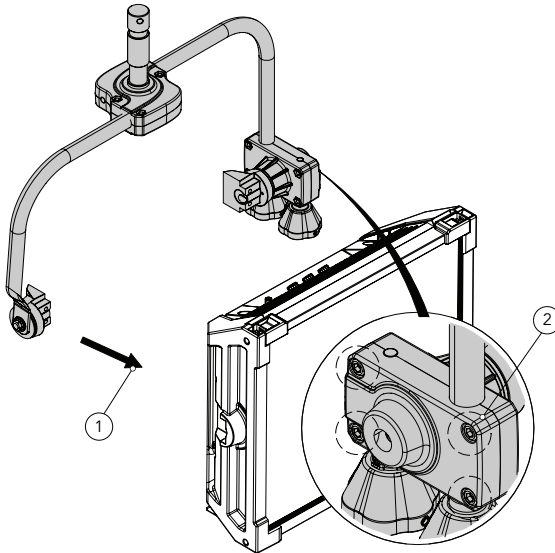
POLE OPERATED YOKE (CODE ECLPANELJRPOYO - OPTIONAL)

1



Loosen and remove the four screws (1). Then remove the bracket (2).

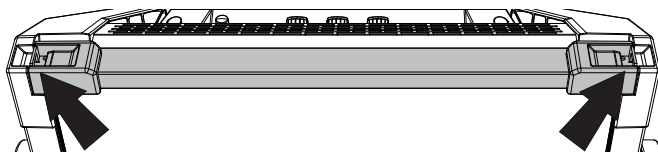
2



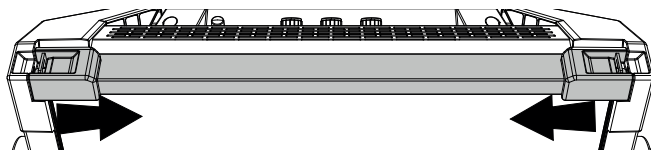
Mount the Pole Operated bracket Yoke (1) and tighten the screws (2).

Fig. 08

1

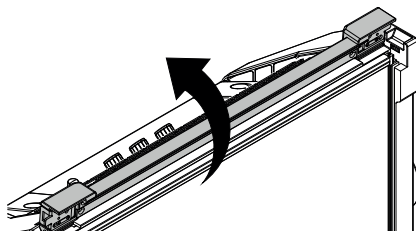


2



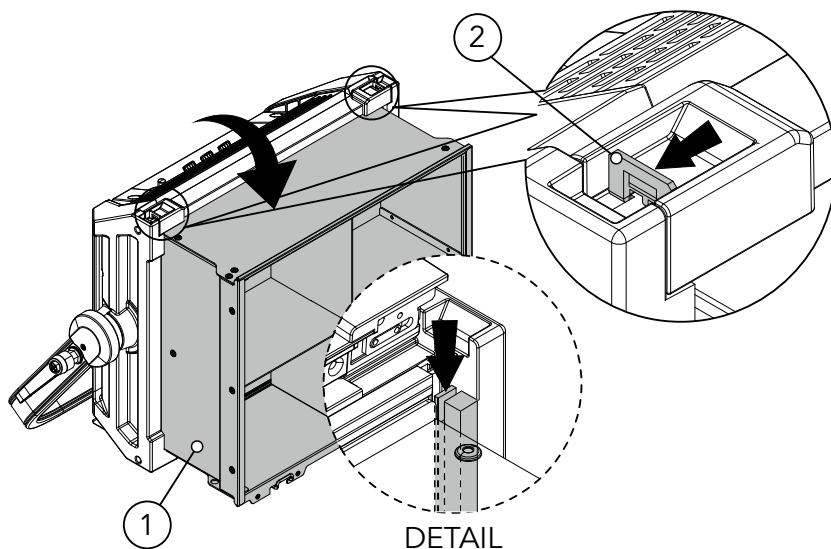
Slide the tabs placed on the top (1), inward the product (2).

3



Open the holder plate by turning it upwards (3).

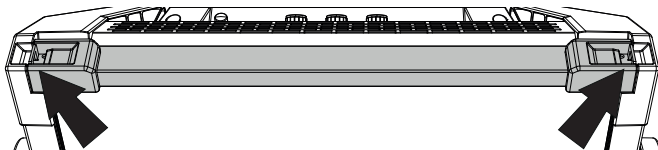
4



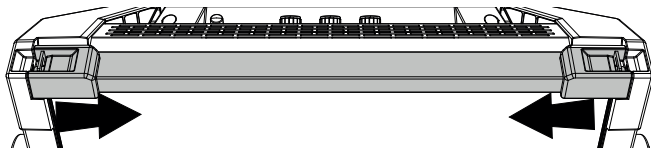
Insert the egg crate (1), inside the track guides (DETAIL). Then close the plate (2) and re-position the tabs outwards.

Fig. 09

1

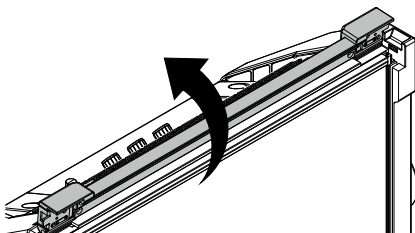


2



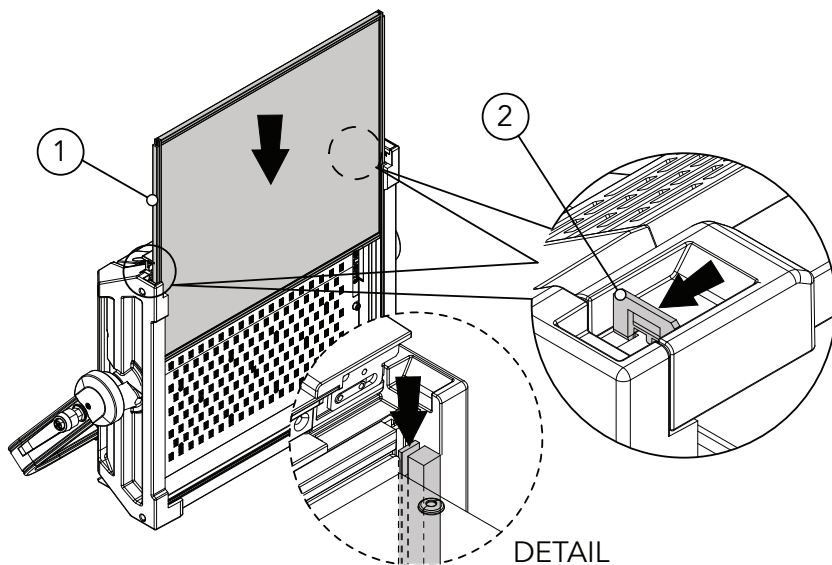
Slide the tabs placed on the top (1), inward the product (2).

3



Open the holder plate by turning it upwards (3).

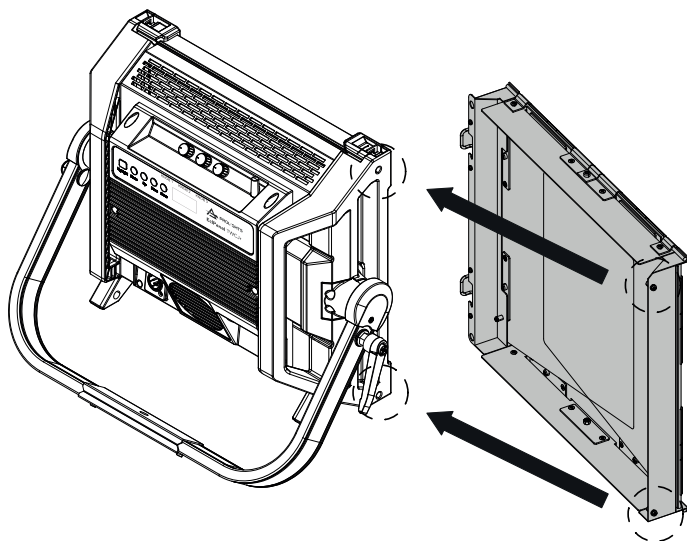
4



Insert the diffuser filter (1), inside the track guides (DETAIL). Then close the plate (2) and re-position the tabs outwards.

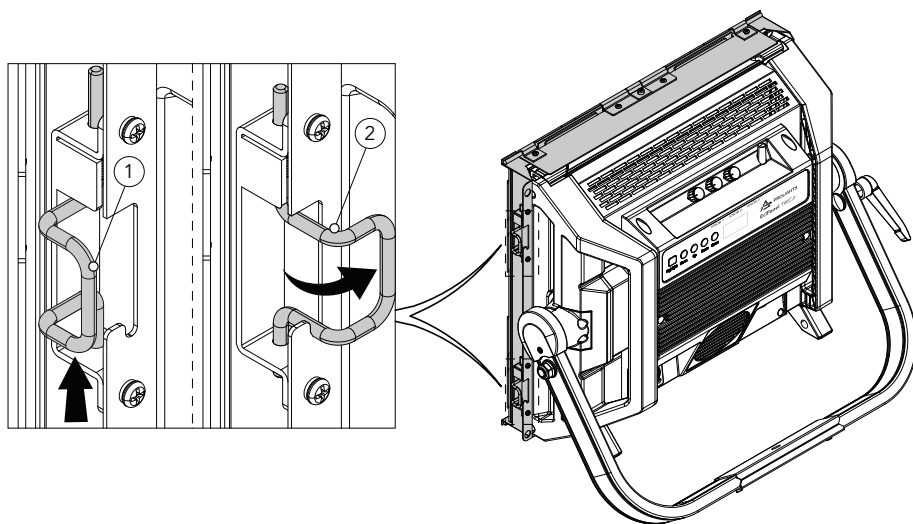
Fig. 09

1



Insert the two positioning and fixing pins on the hardware into the holes provided on the left side edge of the product.

2



Hook the 2 clips (1) on the right edges (2) and then fix the point 1, by rotating the head of the pin towards the body of the product. Adjust the angle of the four leaves to focus the beam.
NOTE: To remove the accessory, reverse the procedure.

Fig. 11

13 - MAINTENANCE

MAINTENANCE AND CLEANING THE PRODUCT

WARNING: Disconnect from the mains before starting any maintenance work

It is recommended to clean the front at regular intervals, from impurities caused by dust, smoke, or other particles to ensure that the light is radiated at maximum brightness.

- For cleaning, disconnect the main plug from the socket. Use a soft, clean cloth moistened with a mild detergent. Then carefully wipe the part dry. For cleaning other housing parts use only a soft, clean cloth. Never use a liquid, it might penetrate the unit and cause damage to it.
- The user must clean the product periodically to maintain optimum performance and cooling. The user may also upload firmware (product software) to the fixture via the DMX signal input port or USB port using firmware and instructions from PROLIGHTS.
- The frequency of such maintenance operations is to be performed according to various factors, such as the amount of the use and the condition of the installation environment (air humidity, presence of dust, salinity, etc.). It is recommended that the product is subject to annual service by a qualified technician for special maintenance involving at least the following procedures:
- General cleaning of internal parts.
- Restoring lubrication of all parts subject to friction, using lubricants specifically supplied by PROLIGHTS.
- General visual check of the internal components, cabling, mechanical parts, etc.
- Electrical, photometric and functional checks; eventual repairs.
- Cleaning the lenses. Only use neutral soap and water to clean the lenses, then dry it carefully with a soft, non-abrasive cloth.

WARNING: the use of alcohol or any other detergent could damage the lenses.

- All other service operations on the product must be carried out by PROLIGHTS, its approved service agents or trained and qualified personnel.
- It is PROLIGHTS policy to apply the strictest possible calibration procedures and use the best quality materials available to ensure optimum performance and the longest possible component lifetimes. However, optical components are subject to wear and tear over the life of the product, resulting in gradual changes in colours over many thousands of hours of use. The extent of wear and tear depends heavily on operating conditions and environment, so it is impossible to specify precisely whether and to what extent performance will be affected. However, you may eventually need to replace optical components if their characteristics are affected by wear and tear after an extended period of use and if you require fixtures to perform within very precise optical and colour parameters.
- Do not apply filters, lenses or other materials on lenses or other optical components. Use only accessories approved by PROLIGHTS.

REPLACING THE FUSE

WARNING: Before replacing the fuse, unplug the product from the mains.

- Remove the old fuse from the housing with a suitable screwdriver (anticlockwise) and replace it with one of the same type and of the same classification (T3.15 AL 250 V).

VISUAL CHECK OF PRODUCT HOUSING

- The parts of the product cover/housing should be checked for eventual damages and breaking start at least every two months. In addition, especially the parts of the front lens holder have to be checked mechanically (by means of movement by the part) if it is firmly fastened to the fixture. If hint of a crack is found on some plastic part, do not use the product until the damaged part will be replaced.
- Cracks or another damages of the cover/housing parts can be caused by the product transportation or manipulation and also ageing process may influence materials.
- This checking is necessary for both fixed installations and preparing product for renting. Any free moving parts inside of the product, cracked cover/housing or any part of front lens not sitting properly in place need to be immediately replaced.

TROUBLESHOOTING

Problems	Possible causes	Checks and remedies
Product doesn't power ON	<ul style="list-style-type: none"> No power to the product. 	<ul style="list-style-type: none"> Check that power is switched ON and cables are plugged in.
	<ul style="list-style-type: none"> Fuse blown or internal fault. 	<ul style="list-style-type: none"> Check if the Fuse is intact and eventually replace it if necessary. Contact the PROLIGHTS Service or authorized service partner. Do not remove parts and/or covers, or carry out any repairs or service that are not described in this Safety and User Manual unless you have both authorization from PROLIGHTS and the service documentation.
Product reset correctly but does not respond correctly to the controller.	<ul style="list-style-type: none"> Bad signal connection 	<ul style="list-style-type: none"> Inspect connections and cables. Fix eventual bad connections. Repair or replace damaged cables.
	<ul style="list-style-type: none"> Signal connection not terminated. 	<ul style="list-style-type: none"> Insert DMX termination plug in signal output socket of the last product on the signal line.
	<ul style="list-style-type: none"> Incorrect addressing of the product. 	<ul style="list-style-type: none"> Check the product address and control settings.
	<ul style="list-style-type: none"> One of the product is defective and is corrupting the signal transmission on the signal line. 	<ul style="list-style-type: none"> Unplug the XLR in and out connectors and connect them directly together to bypass one product at a time until normal operation is regained. Once found the error, have that fixture serviced by a qualified technician.
Timeout error after fixture reset.	<ul style="list-style-type: none"> One or more hardware components requires mechanical adjustments. 	<ul style="list-style-type: none"> Check product stored error messages for more information. Contact PROLIGHTS Service or an authorized service partner.
Mechanical effect loses position	<ul style="list-style-type: none"> Mechanical hardware require cleaning, adjustment or lubrication. 	<ul style="list-style-type: none"> Check product stored error messages for more information. Contact PROLIGHTS Service or an authorized service partner.
Light output turn OFF Intermittently	<ul style="list-style-type: none"> Fixture is too hot. 	<ul style="list-style-type: none"> Check product stored error messages. Allow product to cool. Clean the product and airflow filters. Reduce ambient temperature.
	<ul style="list-style-type: none"> Hardware failure (temperature sensor, fans, Light source...). 	<ul style="list-style-type: none"> Check product stored error messages for more information. Contact. PROLIGHTS Service or an authorized service partner.
General low light intensity	<ul style="list-style-type: none"> Dirty lens assembly 	<ul style="list-style-type: none"> Clean the fixture regularly.
	<ul style="list-style-type: none"> Dirty or damaged filters 	<ul style="list-style-type: none"> Install lens assembly properly.

Contact an authorized service center in case of technical problems or not reported in the table can not be resolved by the procedure given in the table.



PROLIGHTS is a trademark of
MUSIC & LIGHTS S.r.l.
musiclights.it

Via A.Olivetti snc
04026 - Minturno (LT) ITALY
Tel: +39 0771 72190

prolights.it
support@prolights.it