

**FF3612**



**Ajustable Bracket**

Adjustable bracket allows fixing to uneven ceilings, scaffolding or "I" Beam structures.  
Extendable from 9 to 13 cm (3,5" to 5") and inclinable from 0 to 90°.



material: steel



finish: grey powder coating with orange peel finish RAL 7016



weight: 1,110 kg  
2,446 lb



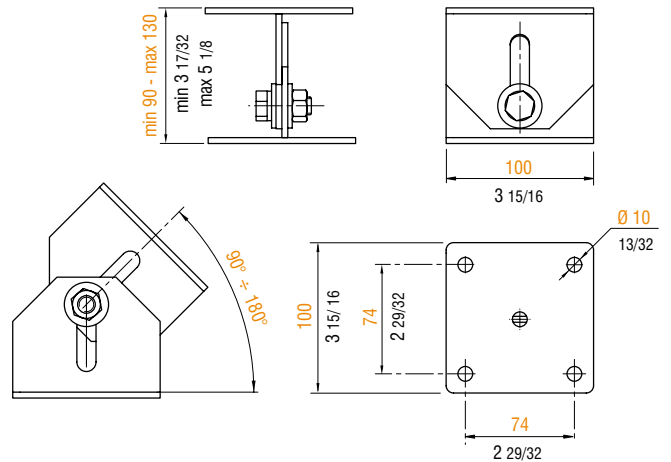
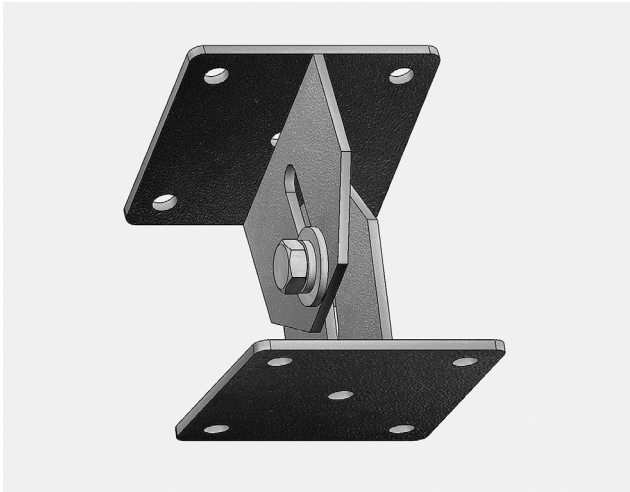
volume: 0,0020 cu m  
0,0707 cu ft



max. load: 200 kg  
441 lb

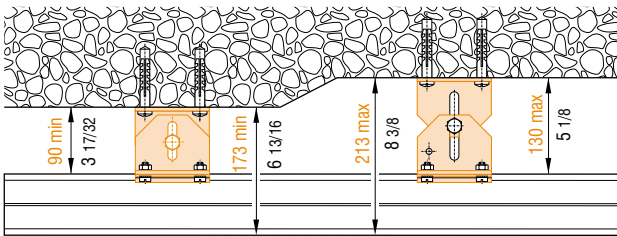
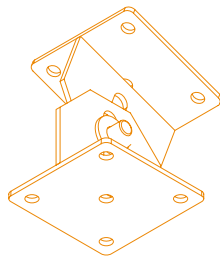


weight: 1,500 kg  
3,304 lb

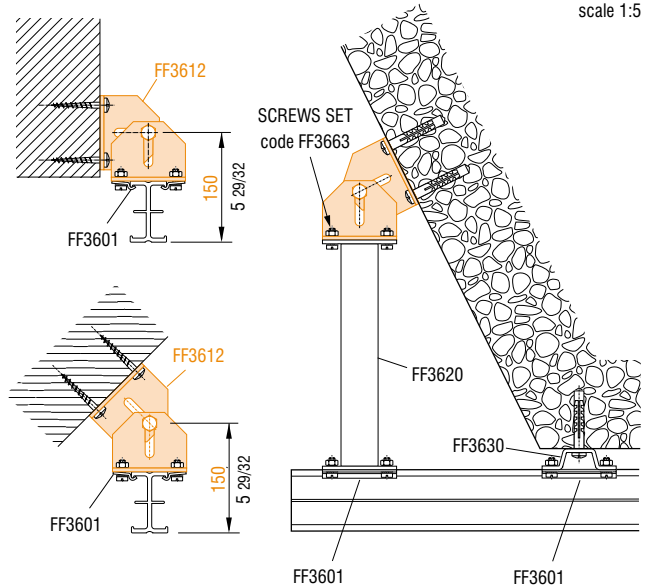


scale 1:5

**APPLICATIONS**



Ceiling with variable beam heights:  
FF3612 allows the compensation of height differences in ceilings of up to a maximum of 4 cm (1 1/2").



Vaulted ceilings:  
FF3612 is adjustable from 0° to 90°, by loosening the central locking bolt.